

195,110

COOKING RANGE

Michael W. Maier, Beaver Dam, Wis., assignor to Malleable Iron Range Company, Beaver Dam, Wis., a corporation of Wisconsin

Continuation of design applications Ser. No. 63,159, Dec. 8, 1960, and Ser. No. 63,160, Dec. 8, 1960. This application Mar. 13, 1962, Ser. No. 69,821

Term of patent 14 years

(Cl. D81-4)

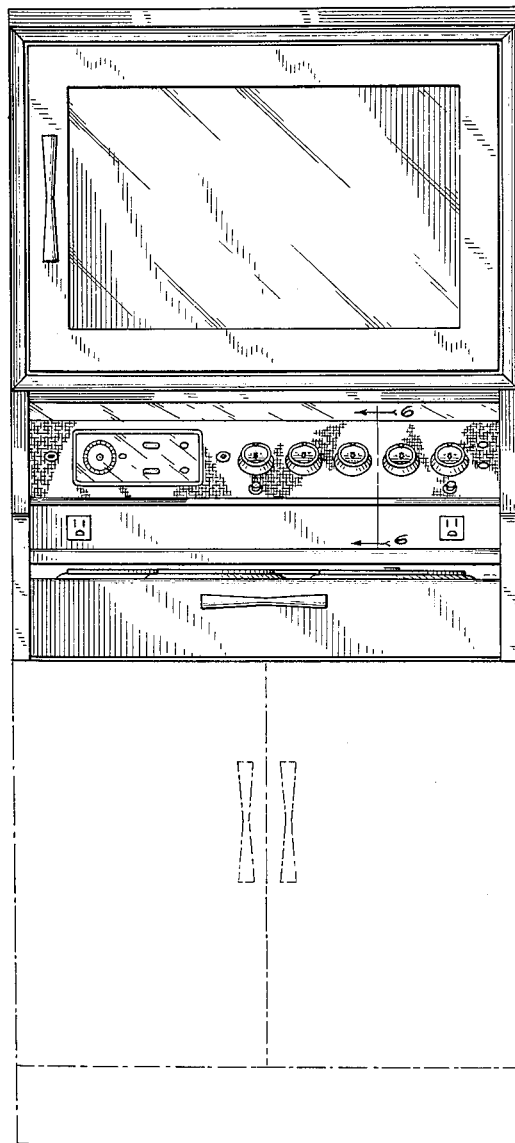


FIG. 1

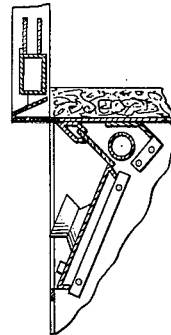


FIG. 6

FIG 3

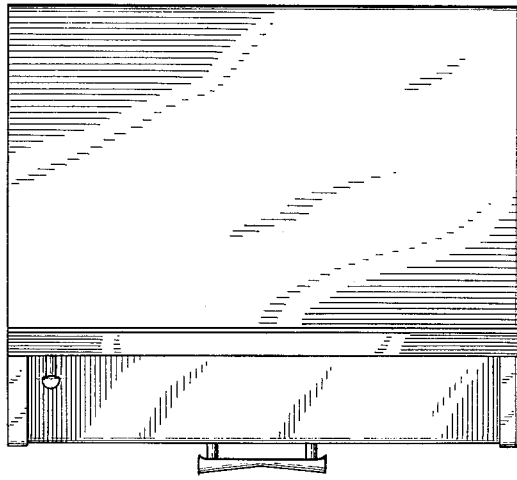


FIG 2

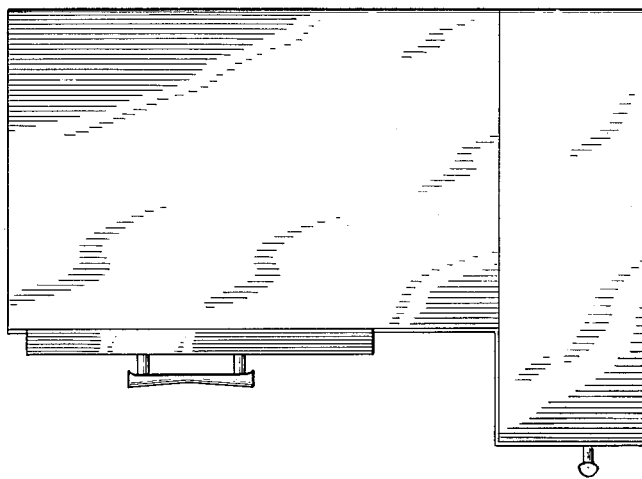


FIG. 5

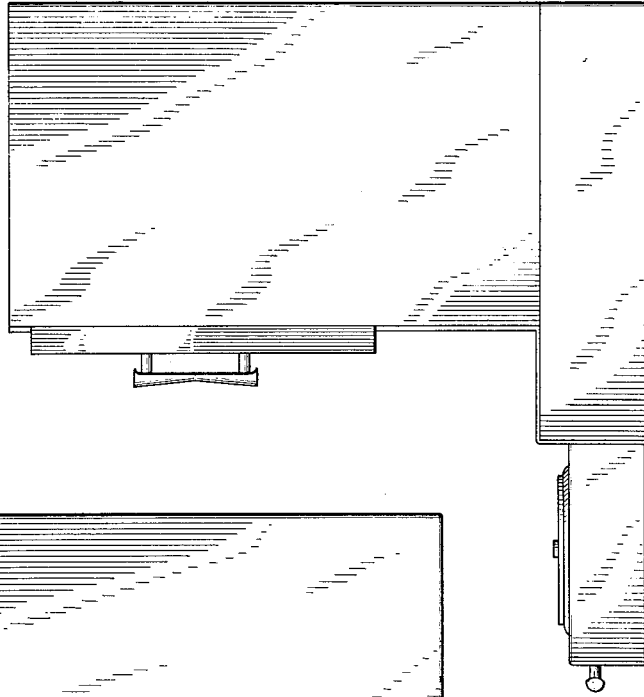


FIG. 4

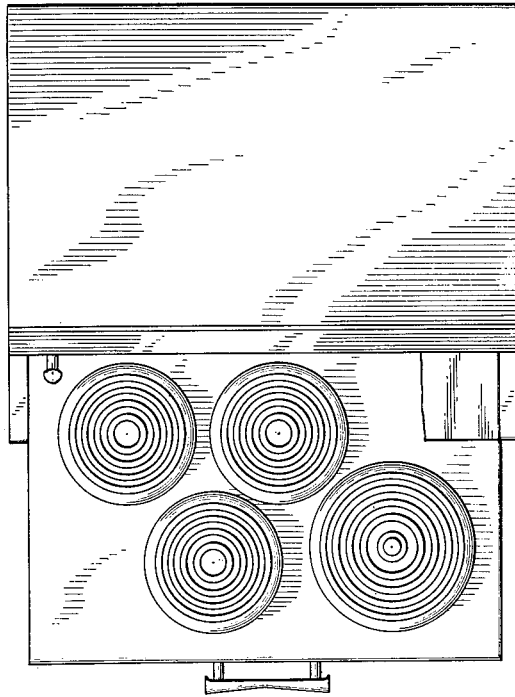


FIG. 7.

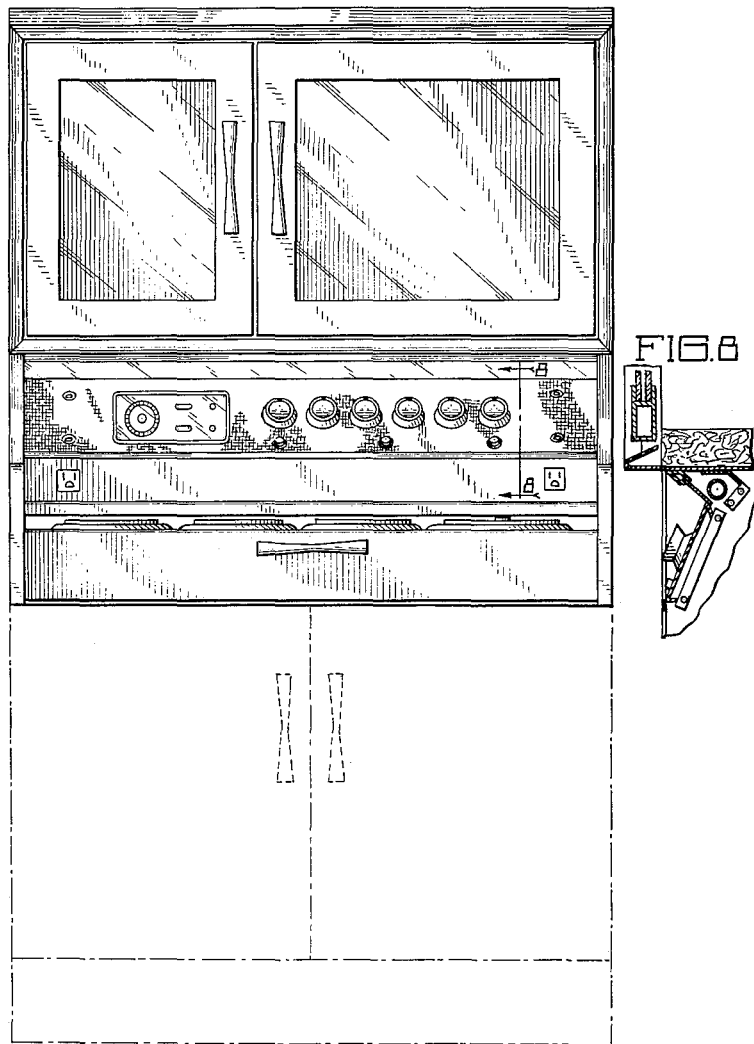


FIG. 10

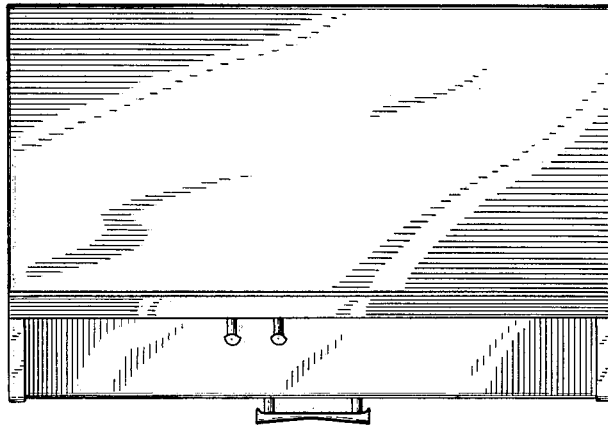
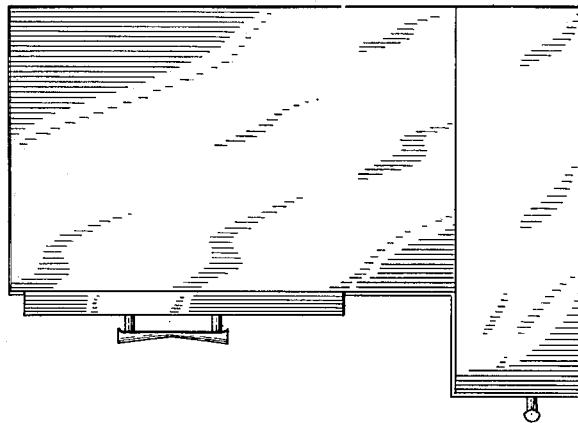


FIG. 9



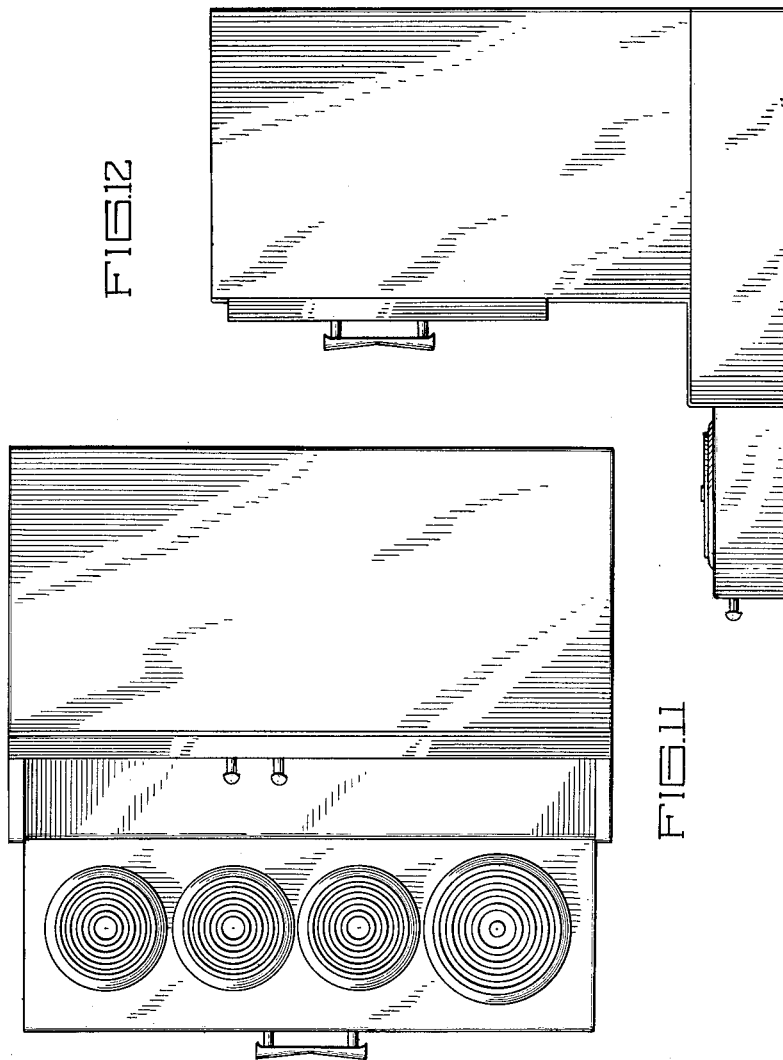


FIG. 1 is a front elevation of a cooking range embodying my new design, the cabinet bottom shown in broken lines being included for illustrative purposes only;

FIG. 2 is a side elevation thereof taken from the right of FIG. 1, the opposite side being a mirror image of this disclosed side;

FIG. 3 is a top plan view thereof;

FIG. 4 is a top plan view thereof, with the extensible stove top in extended position and with the retractable shelf member shown in its extended position, but with a portion of the shelf member broken away to illustrate the appearance when the shelf member is retracted to expose and to make available for use the burner elements of the stove top member;

FIG. 5 is a side elevation of the cooking range with the stove top member extended as in FIG. 4;

FIG. 6 is a fragmentary cross-section taken on the line 6-6 of FIG. 1 illustrating configurational details on the front of the cooking range;

FIG. 7 is a front elevation of a cooking range embodying my new design and comprising another embodiment of my invention, the cabinet bottom shown in broken lines being included for illustrative purposes only;

FIG. 8 is a fragmentary cross-section taken on the line 8-8 of FIG. 7 illustrating configurational details of the front of the cooking range;

FIG. 9 is a side elevation thereof taken from the right

of FIG. 7, the opposite side being a mirror image of this disclosed side;

FIG. 10 is a top plan view thereof;

FIG. 11 is a top plan view thereof with the stove top member in extended position; and

FIG. 12 is a side elevation thereof as shown in FIG. 11.

The rear of the cooking range, not shown, is conventionally plain.

This application is a continuation of my two earlier filed applications, Serial No. D. 63,159 and Serial No. D. 63,160, filed December 8, 1960, and now abandoned.

I claim:

The ornamental design for a cooking range, as shown and described.

References Cited in the file of this patent

UNITED STATES PATENTS

D. 180,069	Clarke	Apr. 16, 1957
D. 189,804	Clarke	Feb. 21, 1961

OTHER REFERENCES

House and Home, October 1959, page 232, Tappan "Debutante" range at center right of page, adv. by Tappan Co.

Institutions magazine, March 1960, page 189, range and elevated radiant broiler combination, adv. by Cribben and Sexton Co., subsidiary of Waste King Corp.